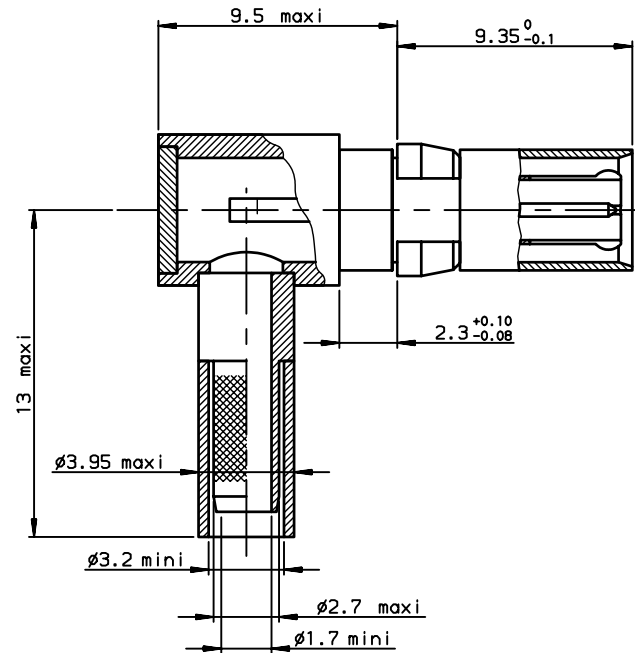


PART NUMBER
8609-M21-32-CXLF

PLATING	THICKNESS
C1	0.8 μ AU (mating area)
C4	1.5 μ AU (mating area)



NOTES

- OUR CONTACTS ARE COMPATIBLE WITH 50 Ω CABLES TYPE RG 174 A/U, RG 316 U AND RG 188 A/U
- OUR CONTACTS ARE COMPATIBLE WITH 75 Ω CABLES TYPE RG 187 A/U AND RG 179 B/U
- SOLDER CENTER CONTACT AND CRIMP BRAID
- TOOLING :
 crimping pliers ref. 8609-73
 contact extractor ref. 8609-78

TECHNICAL CHARACTERISTICS:

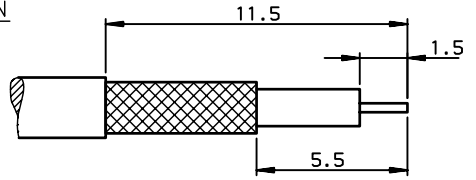
- INSERTION / WITHDRAWAL FORCE : ≤ 10 N
- CONTACT RESISTANCE :
 center contact ≤ 10 m Ω
 outer contact ≤ 3 m Ω
- INSULATION RESISTANCE : 10^6 M Ω
- INPEDANCE : 50 Ω
- PEAK VOLTAGE : 750 Veff
- OPERATING VOLTAGE : 250 Veff
- WORKING FREQUENCY-MAX : 30 GHz
- OPTIMUM : 0-10 GHz
- REFLECTION COEFFICIENT : Max. 0.05 up to 1 GHz ; Max. 0.1 up to 10 GHz

OTHER CHARACTERISTICS: SEE INSERTS ACCORDING TO DIN 41626

NOTE:RoHS INFORMATIONS

- The "LF" product meets European union Directives and other country regulations as described in GS-22-008.
- The product is not intended to be exposed to a manufacturing solder process.
- Packaging spec: see GS-14-920.

CABLE PREPARATION



European Views

www.fciconnect.com		surface ISO 1302 <input checked="" type="checkbox"/>	tolerance std ISO 406 ISO 1101	projection 	mm
TOLERANCES UNLESS OTHERWISE SPECIFIED					
Dr	H.LEGALLIC	2006/03/11	ANGULAR	0.X	± 0.1
Eng	H.LEGALLIC	2006/03/11	LINEAR	0.XX	± 0.1
Chr	LEGARRE	2006/03/11	0.XX' $\pm 2'$	0.XXX	± 0.1
Appr	LEGARRE	2006/03/11	Product family	DIN 8609	Spec ref -
title MALE COAXIAL CONTACTS			size A3		Scale 5
catalog no			C-8609-1212		Rev. C
			CUSTOMER		sheet 1 of 1

rev	ecn no	dr	date
A	LS06-0022	LEG	2006/03/11
B	LS06-0095	LGO	2006/06/29
C	LS08-0160	LGO	2008/07/10
-	-	-	-
-	-	-	-
-	-	-	-
-	-	-	-



Copyright FCJ. FCJ